

# FB10-15KRT PAC Series

Electric Counterbalance • 3 Wheel Pneumatic Tyres  
24 Volt AC Power • **1.0 - 1.5 tonnes**

**FB10KRT PAC  
FB12KRT PAC  
FB15KRT PAC**

## **Ultra-compact and manoeuvrable... but with the qualities of a larger truck**

With its ultra-compact design and incredible manoeuvrability, the remarkable FBKRT PAC series is unbeatable in confined working areas such as narrow warehouse aisles and containers. Equipped with a 24 volt battery and efficient AC motors, it's the perfect choice if you need an economical but productive truck for a few hours each day.

The FBKRT PAC is easy for anyone to operate, with the minimum of instruction, and despite its small size and price it shares many important qualities with the larger Mitsubishi electric forklifts. These include powerful, smooth, quiet performance, high stability, excellent levels of operator comfort, ergonomics and safety... and full programmability to meet the needs of each driver and application.

### **Frame and body**

- **Narrow chassis** – and compact dimensions – allow excellent manoeuvrability and high productivity in the smallest of spaces.
- **Low height** allows use in containers, drive-in racking and other applications with restricted overhead clearance.
- **Robust design** ensures smooth, stable ride and excellent lift performance.
- **Longitudinal bars** maximise upward view through overhead guard.

### **Mast and fork assembly**

- **Exceptional visibility** through revolutionary high-strength, clear-view mast maximises driver safety and output.
- **Backrest as standard** aids load stability.

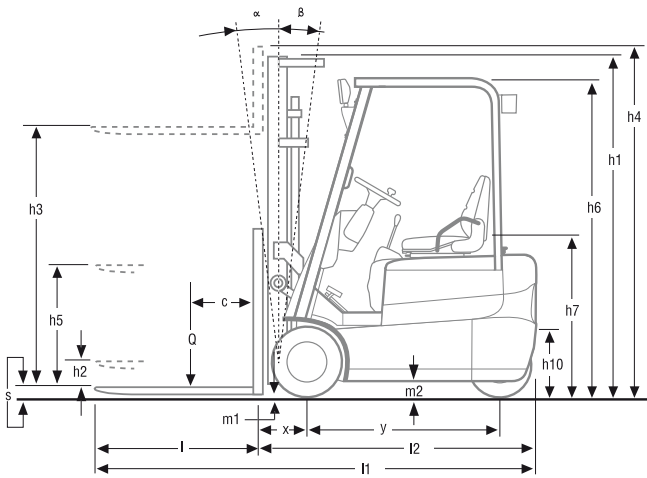


# FB10-15KRT PAC Series

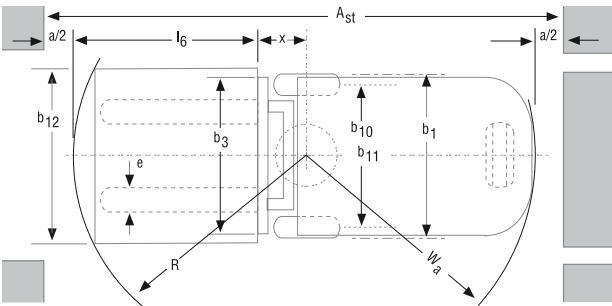
Electric Counterbalance • 3 Wheel Pneumatic Tyres

24 Volt AC Power • 1.0 - 1.5 tonnes

| Characteristics     |   |                |            |             |             |             |
|---------------------|---|----------------|------------|-------------|-------------|-------------|
| 1.1                 | Manufacturer (abbreviation)   |                |            | Mitsubishi  | Mitsubishi  | Mitsubishi  |
| 1.2                 | Manufacturer's model designation  |                |            | FB10KRT PAC | FB12KRT PAC | FB15KRT PAC |
| 1.3                 | Power source: (battery, diesel, LP gas, petrol)                                   |                |            | Battery     | Battery     | Battery     |
| 1.4                 | Operator type: pedestrian, (operator)-standing, -seated                           |                |            | Seated      | Seated      | Seated      |
| 1.5                 | Load capacity   | Q              | (kg)       | 1.000       | 1.250       | 1.500       |
| 1.6                 | Load center distance  | c              | (mm)       | 500         | 500         | 500         |
| 1.8                 | Load distance, axle to fork face  | x              | (mm)       | 330         | 330         | 330         |
| 1.9                 | Wheelbase   | y              | (mm)       | 1125        | 1125        | 1200        |
| Weight              |   |                |            |             |             |             |
| 2.1                 | Truck weight, without load / including battery (simplex mast, lowest lift height) |                | kg         | 2354        | 2569        | 2775        |
| 2.2                 | Axle loading with maximum load, front/rear (simplex mast, lowest lift height)     |                | kg         | 2857/497    | 3195/574    | 3731/544    |
| 2.3                 | Axle loading without load, front/rear (simplex mast, lowest lift height)          |                | kg         | 1119/1235   | 1109/1460   | 1194/1581   |
| Wheels, Drive Train |   |                |            |             |             |             |
| 3.1                 | Tyres: V=solid, L=pneumatic, SE=solid pneumatic - front/rear                      |                |            | SE/SE       | SE/SE       | SE/SE       |
| 3.2                 | Tyre dimensions, front  |                |            | 18 x 7-8    | 18 x 7-8    | 18 x 7-8    |
| 3.3                 | Tyre dimensions, rear   |                |            | 18 x 7-8    | 18 x 7-8    | 18 x 7-8    |
| 3.5                 | Number of wheels, front/rear (x=driven)   |                |            | 2/1x        | 2/1x        | 2/1x        |
| 3.6                 | Track width (center of tyres), front  | b10            | (mm)       | 840         | 840         | 840         |
| 3.7                 | Track width (center of tyres), rear   | b11            | (mm)       | -           | -           | -           |
| Dimensions          |   |                |            |             |             |             |
| 4.1                 | Mast tilt, forwards/backwards   | $\alpha/\beta$ | $^{\circ}$ | 5/7         | 5/7         | 5/7         |
| 4.2                 | Height with mast lowered (see tables)   | h1             | (mm)       | 2110        | 2110        | 2110        |
| 4.3                 | Free lift (see tables)  | h2             | (mm)       | 80          | 80          | 80          |
| 4.4                 | Lift height (see tables)  | h3             | (mm)       | 3300        | 3300        | 3300        |
| 4.5                 | Overall height with mast raised   | h4             | (mm)       | 3895        | 3895        | 3895        |
| 4.7                 | Height to top of overhead guard   | h6             | (mm)       | 2015(1965)  | 2015(1965)  | 2015(1965)  |
| 4.8                 | Seat height   | h7             | (mm)       | 928         | 928         | 928         |
| 4.12                | Tow coupling height   | h10            | (mm)       | 410         | 410         | 410         |
| 4.19                | Overall length  | l1             | (mm)       | 2500        | 2500        | 2575        |
| 4.20                | Length to fork face (includes fork thickness)                                     | l2             | (mm)       | 1700        | 1700        | 1775        |
| 4.21                | Overall width   | b1/b2          | (mm)       | 997         | 997         | 997         |
| 4.22                | Fork dimensions (thickness, width, length)  | s / e / l      | (mm)       | 35x80x800   | 35x80x800   | 35x80x800   |
| 4.23                | Fork carriage to DIN 15 173 A/B/no  |                |            | 2A          | 2A          | 2A          |
| 4.24                | Fork carriage width   | b3             | (mm)       | 920         | 920         | 920         |
| 4.31                | Ground clearance under mast, with load  | m1             | (mm)       | 80          | 80          | 80          |
| 4.32                | Ground clearance at center of wheelbase, with load (forks lowered)                | m2             | (mm)       | 100         | 100         | 100         |
| 4.33                | Working aisle width with 1000 x1200 mm pallets, crosswise                         | Ast            | (mm)       | 3030        | 3030        | 3104        |
| 4.34                | Working aisle width with 800 x1200 mm pallets, crosswise                          | Ast            | (mm)       | 2850        | 2850        | 2925        |
| 4.35                | Turning circle radius   | Wa             | (mm)       | 1370        | 1370        | 1445        |
| 4.36                | Minimum distance between centers of rotation                                      | b13            | (mm)       | 0           | 0           | 0           |
| Performance         |   |                |            |             |             |             |
| 5.1                 | Travel speed, with/without load   |                | km/h       | 11.5/13.5   | 11.2/13     | 11/12.5     |
| 5.2                 | Lifting speed, with/without load  |                | m/s        | 0.29/0.48   | 0.27/0.48   | 0.26/0.48   |
| 5.3                 | Lowering speed, with/without load   |                | m/s        | 0.52/0.50   | 0.52/0.50   | 0.52/0.50   |
| 5.5                 | Rated drawbar pull, with/without load   |                | N          | 1706/1991   | 1569/1937   | 1435/1876   |
| 5.6                 | Maximum drawbar pull, with/without load (5 min short duty)                        |                | N          | 5327/5621   | 5190/5558   | 5056/5497   |
| 5.7                 | Gradeability, with/without load   |                | %          | 9.6/15.1    | 8.1/13.6    | 6.9/12.3    |
| 5.8                 | Maximum gradeability, with/without load   |                | %          | 16.4/25.1   | 14.0/22.6   | 12.2/20.6   |
| 5.9                 | Acceleration time (10 metres) with/without load                                   |                | s          | 5.9/5.6     | 6.0/5.7     | 6.1/5.7     |
| 5.10                | Service brakes (mechanical/hydraulic/electric/pneumatic)                          |                |            | Hydraulic   | Hydraulic   | Hydraulic   |
| Electric motors     |   |                |            |             |             |             |
| 6.1                 | Drive motor capacity (60 min. short duty)   |                | kW         | 5           | 5           | 5           |
| 6.2                 | Lift motor output at 15% duty factor  |                | kW         | 6.5         | 6.5         | 6.5         |
| 6.3                 | Battery to DIN 43 531/35/36 A/B/C/no  |                |            | 43 535A     | 43 535A     | 43 535A     |
| 6.4                 | Battery voltage/capacity at 5-hour discharge                                      |                | V /Ah      | 24 / 720    | 24 / 720    | 24 / 840    |
| 6.5                 | Battery weight  |                | kg         | 524         | 524         | 600         |
| 6.6                 | Energy consumption according to VDI 60 cycle                                      |                | kWh/h      | -           | -           | -           |
| Miscellaneous       |   |                |            |             |             |             |
| 8.1                 | Type of drive control   |                |            | Impuls / AC | Impuls / AC | Impuls / AC |
| 8.2                 | Maximum operating pressure for attachments  |                | bar        | 143         | 143         | 143         |
| 8.3                 | Oil flow for attachments  |                | l/min      | -           | -           | -           |
| 8.4                 | Noise level, value at operator's ear (EN 12053)                                   |                | dB(A)      | 60.7        | 60.7        | 60.7        |
| 8.5                 | Towing coupling design / DIN type, ref.   |                |            | -           | -           | -           |



- h1 Height with mast lowered
- h2 Standard free lift
- h3 Lift height
- h4 Height with mast raised
- h5 Full free lift
- Q Lifting capacity, rated load
- c Load centre (distance)



- $A_{st} = W_a + x + R + a$
- $A_{st}$  = Working aisle width
- $W_a$  = Turning radius
- $a$  = Safety clearance = 2 x 100 mm
- $R = \sqrt{(l_6 + x)^2 + (b_{12} / 2)^2}$
- $l_6$  = Pallet length (800 or 1000 mm)
- $b_{12}$  = Pallet width (1200 mm)



### Mast Performance and Capacity

| Mast Type | FB10KRT PAC, FB12KRT PAC, FB15KRT PAC |          |          |          |            | FB10KRT PAC   | FB12KRT PAC   | FB15KRT PAC   |
|-----------|---------------------------------------|----------|----------|----------|------------|---------------|---------------|---------------|
|           | h3<br>mm                              | h1<br>mm | h4<br>mm | h2<br>mm | h5<br>mm   | Q,<br>kg @500 | Q,<br>kg @500 | Q,<br>kg @500 |
| Simplex   | 2000                                  | 1460     | 3045     | 80       | -          | 1000          | 1250          | 1500          |
|           | 2560                                  | 1740     | 3605     | 80       | -          | 1000          | 1250          | 1500          |
|           | 2760                                  | 1840     | 3805     | 80       | -          | 1000          | 1250          | 1500          |
|           | 3000                                  | 1960     | 4045     | 80       | -          | 1000          | 1250          | 1500          |
|           | 3290                                  | 2105     | 4335     | 80       | -          | 1000          | 1250          | 1500          |
|           | 3720                                  | 2365     | 4765     | 80       | -          | 1000          | 1250          | 1500          |
|           | 4090                                  | 2550     | 5135     | 80       | -          | 950           | 1200          | 1450          |
|           | 4480                                  | 2755     | 5525     | 80       | -          | 950           | 1150          | 1400          |
|           | 5000                                  | 3015     | 6045     | 80       | -          | 850           | 900 (1100*)   | 1000 (1350*)  |
|           | 5500                                  | 3265     | 6545     | 80       | -          | 850           | 850 (1050*)   | 950 (1250*)   |
| 6000      | 3515                                  | 7045     | 80       | -        | 450 (800*) | 500 (850*)    | 600 (950*)    |               |
| Duplex    | 3000                                  | 1960     | 4045     | -        | 915        | 1000          | 1250          | 1500          |
|           | 3295                                  | 2105     | 4340     | -        | 1060       | 1000          | 1250          | 1500          |
|           | 3700                                  | 2365     | 4745     | -        | 1320       | 1000          | 1250          | 1500          |
|           | 4030                                  | 2550     | 5075     | -        | 1505       | 950           | 1200          | 1450          |
| Triplex   | 3710                                  | 1760     | 4755     | -        | 715        | 1000          | 1250          | 1500          |
|           | 4010                                  | 1860     | 5055     | -        | 815        | 950           | 1200          | 1450          |
|           | 4310                                  | 1960     | 5355     | -        | 915        | 950           | 1150          | 1400          |
|           | 4750                                  | 2105     | 5795     | -        | 1060       | 900           | 1100          | 1350          |
|           | 5090                                  | 2225     | 6135     | -        | 1180       | 850           | 1100          | 1300          |
|           | 5490                                  | 2365     | 6535     | -        | 1320       | 800           | 850 (1050*)   | 950 (1250*)   |
| 5990      | 2550                                  | 7035     | -        | 1505     | 800        | 850 (1000*)   | 950 (1200*)   |               |



\* lifting capacity with wide tread option

| Battery compartment | FB10KRT PAC | FB12KRT PAC | FB15KRT PAC |     |
|---------------------|-------------|-------------|-------------|-----|
| Length (min)        | mm          | 830         | 830         | 830 |
| Width (min)         | mm          | 381         | 381         | 435 |
| Height (min)        | mm          | 627         | 627         | 627 |
| Minimum weight      | kg          | 524         | 524         | 600 |







## Drive

- **Powerful AC drive motor** provides high torque – even at fast speeds – for rapid acceleration, and smooth, quiet, controlled operation.
- **Controlled rolldown** allows safe use of truck on gradients.
- **High energy efficiency of AC motor** – together with highly efficient energy recycling through strong regenerative braking – means longer shifts and less recharging.

## Steering system

- **Hydrostatic power steering** means smooth, precise control with minimal effort, whatever the truck's speed.
- **Power from hydraulic system** eliminates need for separate steering motor – reducing noise and maintenance requirements.
- **Small turning circle** – truck can turn within its own dimensions – allows operation in very tight spaces.
- **Steering on demand** means energy for steering is only used when the steering wheel is activated – saving energy.

## Hydraulics

- **Powerful AC hydraulic motor** provides high torque for rapid but smooth – and controlled – lifting and lowering.

## Electrical and control systems

- **New generation control system** adjusts acceleration, travel speed, lift/lower speed and braking to suit the load, application and driver – for great versatility.

- **Performance setting** – including pre-set modes – allows instant programming without special tools.
- **Laptop or PC connection to control system** allows great refinement in programming and data analysis.
- **On-board diagnostics and fault memory folder** keep operator and service engineer aware of any problems, speed up servicing and help prevent damage.
- **Integrated Presence System** provides a parking brake alarm, a seat belt warning light and a hydraulic and travel interlock system for added safety.

## Operator compartment and controls

- **Ergonomic operator compartment** – equipped with adjustable steering column, short and easily reached hydraulic levers and other carefully positioned controls – reduces driver fatigue and increases precision.
- **Low step** – together with non-slip surfaces and grab handle – gives easy on-off access from both sides.

- **Auto-style pedals** are easy to use – and give good control without leg strain.
  - **Clear display** alerts drivers and service engineers to potential problems – helping to avoid damage and encourage maintenance.
- ## Other features
- **Long service interval** – 500 hours – and lower maintenance requirements of AC motors, brakes, CAN-bus electrical system and other components reduces downtime and bills.
  - **Rapid access** features give quick and easy entry to all areas for checks and maintenance.

## Options

- Full-suspension seat
- Low overhead guard
- Range of tyres
- Wide-tread tyres
- Road lights



when  
**reliability**  
is **everything**

Developed for outstanding performance and genuine value for money, the award-winning\* range of Mitsubishi forklift trucks and warehouse equipment is built to a higher specification to maximize productivity and ensure utter reliability... whatever the application.

It's what you'd expect from one of the world's largest corporations whose companies are at the leading edge of technologies where performance, quality and dependability can never be compromised.

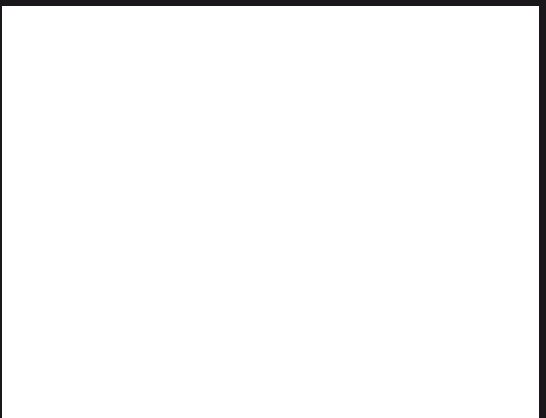
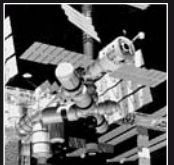
It means that, from a single safe source, we can meet 98% of all handling requirements, supplied to you via a range of competitive finance options including outright purchase, rental or leasing.

So your local dealer can advise you on precisely the right product for your application... and your budget.

Moreover, because we understand how much you depend on your Mitsubishi forklift truck, we deliver the highest levels of customer support.

Through a network of carefully selected dealerships, we provide quality maintenance and customer care programmes including a choice of warranties that give complete peace of mind. Every dealership holds extensive stocks of manufacturer-approved parts, backed by a central store that holds literally millions of items constantly in stock and achieves a first-pick fulfilled rate of 97%. So your truck can be fixed first time, virtually every time.

\* Mitsubishi Forklift Trucks has won **four** separate Fork Lift Truck Association Annual Awards for Excellence covering the areas of **Ergonomics**, the **Environment** and **Innovation**.



CESM0899 (11/10) ok  
© 2007 MCFE  
Printed in The Netherlands

**mitforklift@mcf.nl**  
**www.mitforklift.com**

NOTE: Performance specifications may vary depending on standard manufacturing tolerances, vehicle condition, types of tyres, floor or surface conditions, applications or operating environment. Trucks may be shown with non-standard options. Specific performance requirements and locally available configurations should be discussed with your distributor of Mitsubishi forklift trucks. Mitsubishi follows a policy of continual product improvement. For this reason, some materials, options and specifications could change without notice.