

Features:

- Low Ground Pressure When Fully Loaded
- More Economical To Run Versus Reach Stackers
- Easy to Service
- Reduced Energy Consumption
- Lighter Weight Versus Reach Stackers
- Narrow Aisles For Maximum Storage
- Rough Terrain & Ramp Friendly
- Works On Compacted Stone, Bitumen And Light Concrete
- Exceptional 3-Wheel Manoeuvrability Circle
- No Brake Maintenance
- Improves Productivity



▲ Ergonomically designed /driver friendly cab



▲ Large Tyres for Low Ground Pressure



▲ Option: Front Opening cab

Options:

- Can Be Customised To Handle Non-Iso Containers
- Customised Attachments Available
- Stack 2 High / 3 High
- Automatic Container Spreader
- Air Conditioning
- Weighing System
- 2 Speed Drive
- 3 Wheel Drive

Container Tipping Option ▶



◀ Same Unit can lift 20', 30', 40', 45' Containers



▲ Engineered for ease of transport by trailer or container

COMBI-SC SPECIFICATIONS

Patent Pending- International Application No. PCT/EP2010/051971



REF	DESCRIPTION	Metric		Imperial	
		SC3	SC3T	SC3	SC3T
1	Overall Length	8570mm		338"	
2	Overall Width *	4920mm		194"	
3	Overall Height *	5165mm	4925mm - 6725mm	203"	194"-265"
4	Ground Clearance Under Cab	275mm		11"	
5	Height Over Cab	2300mm		91"	
6	Track Front	3750mm		148"	
7	Wheelbase	5775mm		227"	
8	Width Load Area	3000mm		118"	
9	Height Load Area *	4600mm	4360mm - 6160mm	181"	172" - 243"
10	Minimum Outside Radius	7250 mm		285"	
11	Overhang Front	1400 mm		55"	
12	Overhang Back	1400 mm		55"	
13	Lift Stroke *	2200mm		87"	
A	Capacity	35,000kg		77,000lbs	
B	Unladen Weight	16,950 kg	19,200 kg	37,370 lbs.	42,300 lbs.
C	Gradeability	5% Fully Loaded			
D	Maximum Ground Speed	10 km/h		6 mph	
E	John Deere 4045 Diesel	93kW		125 hp	
F	Electric's	12 Volt			
G	Tyres	4 x Super Elastic Puncture Proof Tyres			
H	Standard Colour	Yellow & Grey			
I	Suspension Seat	KAB Model 116			

- 2-Wheel Hydrostatic Drive
- 2-Wheel Steer

- Capable Of Travelling Fully Loaded
- Front And Rear Independent Sideshift

COMBILIFT HQ:

Co. Monaghan, Ireland
Tel: + 353 47 80500
Fax: + 353 47 80501

COMBILIFT USA:

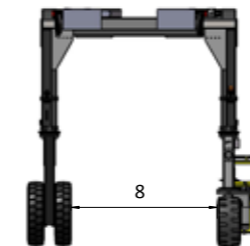
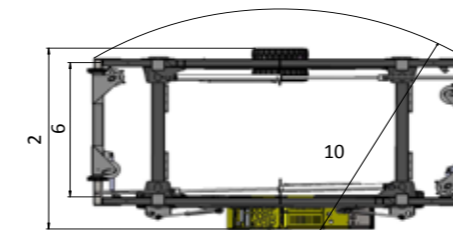
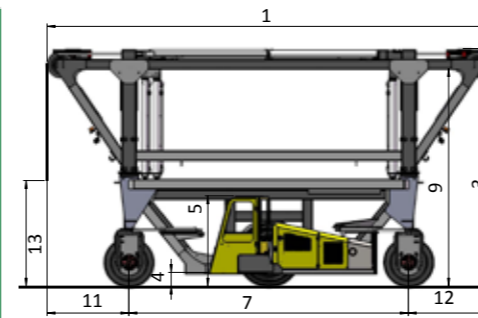
303 Concord Street,
Greensboro, NC 27406
Tel: 1877 266 2456

COMBILIFT UK
07870 976 758

COMBILIFT AUSTRALIA
1300 552 422

COMBILIFT GERMANY
0800 000 5764

Distributed by:



COMBILIFT

CUSTOMISED HANDLING SOLUTIONS

COMBILIFT STRADDLE CARRIER



The Cost Effective Solution For Handling Containers And Oversized Loads



Lifting Capacity:
20,000 kg - 80,000 kg
44,000 lbs. -180,000 lbs.

Travels In/Out Of Warehouse with Ease



Trailer to Ground



- 2 Minute Off-Loading From Trailer To Ground
- Excellent 360° Visibility From Driver Position

- Eliminates Trailers Waiting To Be Loaded And Unloaded
- Safer Stuffing / Destuffing At Ground Level

Automatic Top-Lift Spreader (Option)



- Top-Lift spreader is used to grip and pick up the container by means of four twist locks
- Can be adjusted to handle 20ft and 40ft containers

- Controlled from within the cab
- Quicker operation
- Enables throughput of 20 containers an hour

Oversized Loads



Can be customised to handle any oversized load

Telescopic Function



The retracted telescopic frame allows entry under low doorways, while the extended telescopic frame allows double stacking.

Load Bearing Platform

