

EDiA EM

THE MOST INTELLIGENT... THE MOST AGILE

Meet the EDiA EM. It's the most intelligent truck on the market and one of the most durable. Packed with features, it delivers the manoeuvrability, power and reliability you expect from a Mitsubishi.



FB14ANT
FB16ACNT
FB18ACNT
FB16ANT
FB18ANT
FB20ANT

FB16ACN
FB18ACN
FB16AN
FB18AN
FB20AN

PRELIMINARY SPEC SHEET

Electric-powered forklift trucks

3 & 4 Wheel Solid Pneumatic Tyres • 48 Volt • 1.4 – 2.0 tonnes

 **MITSUBISHI**
FORKLIFT TRUCKS



EDIA EM
DESIGNED AND ENGINEERED TO PERFORM, THESE 48-VOLT THREE AND FOUR-WHEEL ELECTRICS WORK INTUITIVELY, TAILORING THEIR PERFORMANCE TO YOUR INDIVIDUAL OPERATOR. EDIA EM'S SOPHISTICATED SOFTWARE ANALYSES BEHAVIOUR IN REAL-TIME AND AUTOMATICALLY ADJUSTS THE TRUCK'S BEHAVIOUR FOR SAFE-BUT-PRODUCTIVE PERFORMANCE.

OPERATOR COMPARTMENT AND CONTROLS

- Large, ultra-comfortable operating space has been enhanced to meet the needs of drivers of all shapes and sizes for fatigue-free operation.
- Spacious footwell accommodates size 50+ (EU) shoes ensuring – whatever their size – operators enjoy a natural, ergonomic foot position.
- Extra-large entry step with offers good grip, ensuring safe, no-slip entry and exit – whatever the footwear.
- Unparalleled 360° visibility thanks to optimised mast, wheel, dashboard and counterweight design, maximises visibility to load, forks, front and rear wheels for safe, confident operation in tight spaces.
- Optimised pedal positioning encourages a more natural foot position for drivers of all sizes – short and tall included – to keep fatigue at bay.
- Clear informative full-colour display is easy to read from any angle (even direct sunlight). It's perfectly positioned for operator reference and doesn't reduce the truck's all-round visibility.

- Touch-sensitive fingertip controls are spring-loaded for a natural feeling; the gentler the touch, the finer the control.

FRAME AND BODY

- High visibility design offers minimal 'death angle' for improved safety, while eliminating unnecessary driver movements to keep drivers fresh.
- Fast-access battery compartment offers easy opening for maximum ventilation during charging and quick battery checks and maintenance.

MAST AND FORK ASSEMBLY

- Passive Sway Control dampens any elevated load motion above 3.0 m by compensating with micro chassis movements.

DRIVE

- High-efficiency motors offer a high RPM range for precise control when accelerating.
- Sensitive Drive System (SDS) smooths start and stop movements, increases agility and adapts to the speed of operators' foot movements.
- Intelligent curve control senses the angle of a turn and responds – automatically reducing speed early in the manoeuvre – ensuring maximum stability and accurate, positive cornering.
- >100° steering axle with dual-drive motors offers smooth 'on the spot' turning, with no initial 'push'.

BRAKES

- Electronic magnetic brakes don't rely on brake pads – eliminating associated maintenance and the risk of brake dust and contamination.

- Automatic parking brake with hill hold stops the truck automatically when the accelerator is not engaged, and prevents rolling on ramps - no remembering to use a handle or switch.

HYDRAULICS

- Precision tilt and side shift provides easy, fine control – making difficult movements safer and faster.
- Load-sensing hydraulic system automatically adjusts truck's performance when handling loads at heights above 2.0 m – for consistently safe and efficient operations, standard for masts from 3.5m.

STEERING SYSTEM

- Optimised steering automatically adjusts power to steering for consistently smooth operations – regardless of speed or work intensity – for maximum control, comfort and safety.

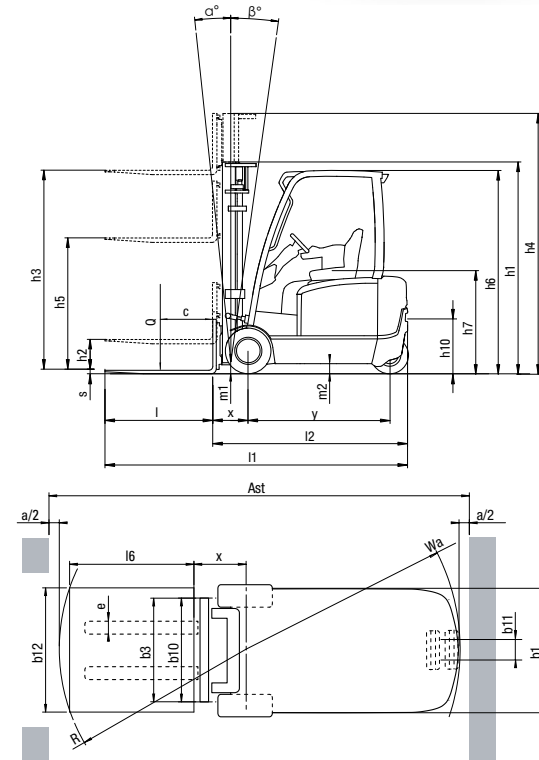


**3 Wheel models
1.4 – 2.0 tonnes
48 Volt AC Power**



| Characteristics | | |
|---------------------|-----------------------------------------------------------------------------------|------------------|
| 1.1 | Manufacturer (abbreviation) | |
| 1.2 | Manufacturer's model designation | |
| 1.3 | Power source: (battery, diesel, LP gas, petrol) | |
| 1.4 | Operator type: pedestrian, (operator)-standing, -seated | |
| 1.5 | Load capacity | Q kg |
| 1.6 | Load center distance | c mm |
| 1.8 | Load distance, axle to fork face | x mm |
| 1.9 | Wheelbase | y mm |
| Weight | | |
| 2.1 | Truck weight, without load / including battery (simplex mast, lowest lift height) | kg |
| 2.2 | Axle loading with maximum load, front / rear (simplex mast, lowest lift height) | kg |
| 2.3 | Axle loading without load, front / rear (simplex mast, lowest lift height) | kg |
| Wheels, Drive Train | | |
| 3.1 | Tyres: V=solid, L=pneumatic, SE=solid pneumatic - front / rear | |
| 3.2 | Tyre dimensions, front | |
| 3.3 | Tyre dimensions, rear | |
| 3.5 | Number of wheels, front / rear (x=driven) | |
| 3.6 | Truck width (center of tyres), front | b10 mm |
| 3.7 | Truck width (center of tyres), rear | b11 mm |
| Dimensions | | |
| 4.1 | Mast tilt, forwards/backwards | α/β ° |
| 4.2 | Height with mast lowered (see tables) | h1 mm |
| 4.3 | Free lift (see tables) | h2 mm |
| 4.4 | Lift height (see tables) | h3 mm |
| 4.5 | Overall height with mast raised | h4 mm |
| 4.7 | Height to top of overhead guard | h6 mm |
| 4.8 | Seat height | h7 mm |
| 4.12 | Tow coupling height | h10 mm |
| 4.19 | Overall length | l1 mm |
| 4.20 | Length to fork face (includes fork thickness) | l2 mm |
| 4.21 | Overall width | b1/b2 mm |
| 4.22 | Fork dimensions (thickness, width, length) | s / e / l mm |
| 4.23 | Fork carriage to DIN 15 173 A/B/no | 2A |
| 4.24 | Fork carriage width | b3 mm |
| 4.31 | Ground clearance under mast, with load | m1 mm |
| 4.32 | Ground clearance at center of wheelbase, with load (forks lowered) | m2 mm |
| 4.33 | Working aisle width with 1000 x 1200 mm pallets, crosswise | Ast mm |
| 4.34 | Working aisle width with 800 x 1200 mm pallets, crosswise | Ast mm |
| 4.35 | Turning circle radius | Wa mm |
| 4.36 | Minimum distance between centers of rotation | b13 mm |
| Performance | | |
| 5.1 | Travel speed, with / without load | km/h |
| 5.2 | Lifting speed, with / without load | m/s |
| 5.3 | Lowering speed, with / without load | m/s |
| 5.5 | Rated drawbar pull, with / without load | N |
| 5.6 | Maximum drawbar pull, with / without load (5 min short duty) | N |
| 5.7 | Gradeability, with / without load | % |
| 5.8 | Maximum gradeability, with / without load | % |
| 5.9 | Acceleration time (10 metres) with / without load | s |
| 5.10 | Service brakes (mechanical / hydraulic / electric / pneumatic) | |
| Electric motors | | |
| 6.1 | Drive motor capacity (60 min. short duty) | kW |
| 6.2 | Lift motor output at 15% duty factor | kW |
| 6.3 | Battery to DIN 43 531 / 35 / 36 A/B/C/no | |
| 6.4 | Battery voltage/capacity at 5-hour discharge | V/Ah |
| 6.5 | Battery weight | kg |
| 6.6 | Energy consumption according to VDI 60 cycle | kWh/h |
| Miscellaneous | | |
| 8.1 | Type of drive control | |
| 8.2 | Maximum operating pressure for attachments | bar |
| 8.3 | Oil flow for attachments | l/min |
| 8.4 | Noise level, value at operator's ear (EN 12053) | dB(A) |
| 8.5 | Towing coupling design / DIN type, ref. | |

| Mitsubishi | Mitsubishi | Mitsubishi | Mitsubishi | Mitsubishi | Mitsubishi |
|-----------------|-----------------|-----------------|-----------------|-----------------|-----------------|
| FB14ANT | FB16ACNT | FB18ACNT | FB16ANT | FB18ANT | FB20ANT |
| Electric | Electric | Electric | Electric | Electric | Electric |
| Seated | Seated | Seated | Seated | Seated | Seated |
| 1400 | 1600 | 1800 | 1600 | 1800 | 2000 |
| 500 | 500 | 500 | 500 | 500 | 500 |
| 343 | 343 | 343 | 343 | 343 | 358 |
| 1320 | 1320 | 1320 | 1428 | 1428 | 1428 |
| | | | | | |
| 2790 | 2966 | 3156 | 2949 | 3119 | 3342 |
| 3688 / 502 | 4015 / 551 | 4351 / 605 | 4020 / 529 | 4333 / 586 | 4711 / 631 |
| 1394 / 1396 | 1393 / 1573 | 1401 / 1754 | 1476 / 1474 | 1471 / 1649 | 1509 / 1833 |
| | | | | | |
| SE | SE | SE | SE | SE | SE |
| 18 x 7-8 | 18 x 7-8 | 18 x 7-8 | 18 x 7-8 | 18 x 7-8 | 200 / 50-10 |
| 140 / 55-9 | 140 / 55-9 | 140 / 55-9 | 140 / 55-9 | 140 / 55-9 | 140 / 55-9 |
| 2 x / 2 | 2 x / 2 | 2 x / 2 | 2 x / 2 | 2 x / 2 | 2 x / 2 |
| 930 | 930 | 930 | 930 | 930 | 938 |
| 174 | 174 | 174 | 174 | 174 | 174 |
| | | | | | |
| 5 / 7.5 | 5 / 7.5 | 5 / 7.5 | 5 / 7.5 | 5 / 7.5 | 5 / 7.5 |
| 2125 | 2125 | 2125 | 2125 | 2125 | 2125 |
| 80 | 80 | 80 | 80 | 80 | 80 |
| 3290 | 3290 | 3290 | 3290 | 3290 | 3290 |
| 4335 | 4335 | 4335 | 4335 | 4335 | 4335 |
| 2050 | 2050 | 2050 | 2050 | 2050 | 2050 |
| 1035 | 1035 | 1035 | 1035 | 1035 | 1035 |
| 540 | 540 | 540 | 540 | 540 | 540 |
| 2996 | 2996 | 2996 | 3104 | 3104 | 3119 |
| 1846 | 1846 | 1846 | 1954 | 1954 | 1969 |
| 1090 | 1090 | 1090 | 1090 | 1090 | 1140 |
| 35 x 100 x 1150 | 35 x 100 x 1150 | 35 x 100 x 1150 | 35 x 100 x 1150 | 35 x 100 x 1150 | 35 x 100 x 1150 |
| 2A | 2A | 2A | 2A | 2A | 2A |
| 920 | 920 | 920 | 920 | 920 | 920 |
| 95 | 95 | 95 | 95 | 95 | 95 |
| 95 | 95 | 95 | 95 | 95 | 95 |
| 3173 | 3173 | 3173 | 3281 | 3281 | 3295 |
| 3296 | 3296 | 3296 | 3404 | 3404 | 3419 |
| 1502 | 1502 | 1502 | 1610 | 1610 | 1610 |
| 0 | 0 | 0 | 0 | 0 | 0 |
| | | | | | |
| 16 / 16 | 16 / 16 | 16 / 16 | 16 / 16 | 16 / 16 | 16 / 16 |
| 0.55 / 0.62 | 0.52 / 0.62 | 0.46 / 0.62 | 0.52 / 0.62 | 0.46 / 0.62 | 0.62 / 0.42 |
| 0.56 / 0.56 | 0.56 / 0.56 | 0.56 / 0.56 | 0.56 / 0.56 | 0.56 / 0.56 | 0.56 / 0.56 |
| 4900 / 5200 | 4900 / 5200 | 4800 / 5100 | 4900 / 5200 | 4800 / 5100 | 4700 / 5100 |
| 15000 / 15300 | 14900 / 15200 | 14900 / 15200 | 14900 / 15200 | 14900 / 15200 | 14800 / 15200 |
| 16 / 26 | 15 / 25 | 13 / 23 | 15 / 25 | 13 / 23 | 12 / 21 |
| 27 / 35 | 27 / 35 | 26 / 35 | 27 / 35 | 26 / 35 | 24 / 35 |
| 4.0 / 3.8 | 4.1 / 3.8 | 4.2 / 3.8 | 4.1 / 3.8 | 4.2 / 3.8 | 4.3 / 3.9 |
| electric | electric | electric | electric | electric | electric |
| | | | | | |
| 2 x 5.5 | 2 x 5.5 | 2 x 5.5 | 2 x 5.5 | 2 x 5.5 | 2 x 5.5 |
| 10 | 10 | 10 | 10 | 10 | 10 |
| DIN 43531 A/no | DIN 43531 A/no | DIN 43531 A/no | DIN 43531 A/no | DIN 43531 A/no | DIN 43531 A/no |
| 500-625 | 500-625 | 500-625 | 625-750 | 625-750 | 625-750 |
| 679 | 679 | 679 | 812 | 812 | 812 |
| | | | | | |
| AC | AC | AC | AC | AC | AC |
| 210 | 210 | 210 | 210 | 210 | 210 |
| 30 | 30 | 30 | 30 | 30 | 30 |
| 65 | 65 | 65 | 65 | 65 | 65 |
| DIN15170-H | DIN15170-H | DIN15170-H | DIN15170-H | DIN15170-H | DIN15170-H |



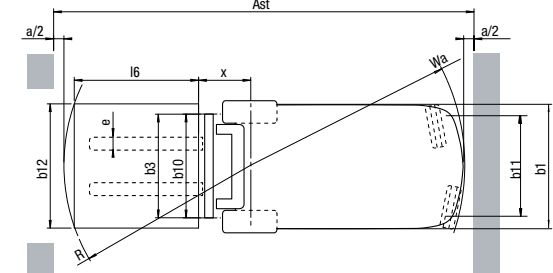
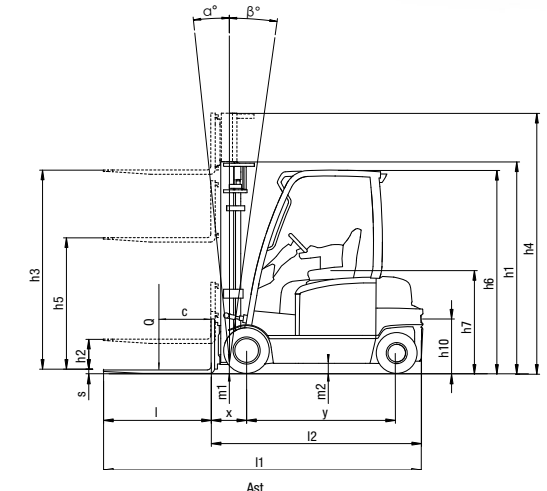
$Ast = Wa + R + a$
 $Ast =$ Working aisle width
 $Wa =$ Turning radius
 $a =$ Safety clearance = 2 x 100 mm
 $R = \sqrt{(l6 + x)^2 + (b12 / 2)^2}$
 $l6 =$ Pallet length (800 or 1000 mm)
 $b12 =$ Pallet width (1200 mm)

Continuing improvement may lead to changes in these specifications

4 Wheel models 1.6 – 2.0 tonnes 48 Volt AC Power



| Characteristics | | | Mitsubishi FB16ACN | Mitsubishi FB18ACN | Mitsubishi FB16AN | Mitsubishi FB18AN | Mitsubishi FB20AN |
|----------------------------|-----------------------------------------------------------------------------------|------------------|-----------------------|-----------------------|----------------------|----------------------|----------------------|
| 1.1 | Manufacturer (abbreviation) | | Electric | Electric | Electric | Electric | Electric |
| 1.2 | Manufacturer's model designation | | Seated | Seated | Seated | Seated | Seated |
| 1.3 | Power source: (battery, diesel, LP gas, petrol) | | 1600 | 1800 | 1600 | 1800 | 2000 |
| 1.4 | Operator type: pedestrian, (operator)-standing, -seated | | 500 | 500 | 500 | 500 | 500 |
| 1.5 | Load capacity | Q kg | 343 | 343 | 343 | 343 | 358 |
| 1.6 | Load center distance | c mm | 1394 | 1394 | 1502 | 1502 | 1502 |
| 1.8 | Load distance, axle to fork face | x mm | | | | | |
| 1.9 | Wheelbase | y mm | | | | | |
| Weight | | | | | | | |
| 2.1 | Truck weight, without load / including battery (simplex mast, lowest lift height) | kg | 2944 | 3114 | 2957 | 3097 | 3287 |
| 2.2 | Axle loading with maximum load, front / rear (simplex mast, lowest lift height) | kg | 3990 / 554 | 4311 / 603 | 4008 / 550 | 4295 / 603 | 4668 / 620 |
| 2.3 | Axle loading without load, front / rear (simplex mast, lowest lift height) | kg | 1422 / 1522 | 1422 / 1692 | 1510 / 1448 | 1484 / 1613 | 1525 / 1762 |
| Wheels, Drive Train | | | | | | | |
| 3.1 | Tyres: V=solid, L=pneumatic, SE=solid pneumatic - front / rear | | SE | SE | SE | SE | SE |
| 3.2 | Tyre dimensions, front | | 18 x 7-8 | 18 x 7-8 | 18 x 7-8 | 18 x 7-8 | 200 / 50-10 |
| 3.3 | Tyre dimensions, rear | | 16 x 6-8 | 16 x 6-8 | 16 x 6-8 | 16 x 6-8 | 16x6-8 |
| 3.5 | Number of wheels, front / rear (x=driven) | | 2 x / 2 | 2 x / 2 | 2 x / 2 | 2 x / 2 | 2 x / 2 |
| 3.6 | Truck width (center of tyres), front | b10 mm | 930 | 930 | 930 | 930 | 938 |
| 3.7 | Truck width (center of tyres), rear | b11 mm | 898 | 898 | 898 | 898 | 898 |
| Dimensions | | | | | | | |
| 4.1 | Mast tilt, forwards/backwards | α/β ° | 5 / 7.5 | 5/7.5 | 5/7.5 | 5/7.5 | 5/7.5 |
| 4.2 | Height with mast lowered (see tables) | h1 mm | 2125 | 2125 | 2125 | 2125 | 2125 |
| 4.3 | Free lift (see tables) | h2 mm | 80 | 80 | 80 | 80 | 80 |
| 4.4 | Lift height (see tables) | h3 mm | 3290 | 3290 | 3290 | 3290 | 3290 |
| 4.5 | Overall height with mast raised | h4 mm | 4335 | 4335 | 4335 | 4335 | 4335 |
| 4.7 | Height to top of overhead guard | h6 mm | 2050 | 2050 | 2050 | 2050 | 2050 |
| 4.8 | Seat height | h7 mm | 1035 | 1035 | 1035 | 1035 | 1035 |
| 4.12 | Tow coupling height | h10 mm | 520 | 520 | 520 | 520 | 520 |
| 4.19 | Overall length | l1 mm | 3152 | 3152 | 3260 | 3260 | 3275 |
| 4.20 | Length to fork face (includes fork thickness) | l2 mm | 2002 | 2002 | 2110 | 2110 | 2125 |
| 4.21 | Overall width | b1/b2 mm | 1090 | 1090 | 1090 | 1090 | 1140 |
| 4.22 | Fork dimensions (thickness, width, length) | s / e / l mm | 35 x 100 x 1150 | 35 x 100 x 1150 | 35 x 100 x 1150 | 35 x 100 x 1150 | 35 x 100 x 1150 |
| 4.23 | Fork carriage to DIN 15 173 A/B/no | | 2A | 2A | 2A | 2A | 2A |
| 4.24 | Fork carriage width | b3 mm | 920 | 920 | 920 | 920 | 920 |
| 4.31 | Ground clearance under mast, with load | m1 mm | 95 | 95 | 95 | 95 | 95 |
| 4.32 | Ground clearance at center of wheelbase, with load (forks lowered) | m2 mm | 95 | 95 | 95 | 95 | 95 |
| 4.33 | Working aisle width with 1000 x 1200 mm pallets, crosswise | Ast mm | 3333 | 3333 | 3441 | 3441 | 3455 |
| 4.34 | Working aisle width with 800 x 1200 mm pallets, crosswise | Ast mm | 3456 | 3456 | 3564 | 3564 | 3579 |
| 4.35 | Turning circle radius | Wa mm | 1662 | 1662 | 1770 | 1770 | 1770 |
| 4.36 | Minimum distance between centers of rotation | b13 mm | 0 | 0 | 0 | 0 | 0 |
| Performance | | | | | | | |
| 5.1 | Travel speed, with / without load | km/h | 17 / 17 | 17 / 17 | 17 / 17 | 17 / 17 | 17 / 17 |
| 5.2 | Lifting speed, with / without load | m/s | 0.52 / 0.62 | 0.46 / 0.62 | 0.52 / 0.62 | 0.46 / 0.62 | 0.62 / 0.42 |
| 5.3 | Lowering speed, with / without load | m/s | 0.56 / 0.56 | 0.56 / 0.56 | 0.56 / 0.56 | 0.56 / 0.56 | 0.56 / 0.56 |
| 5.5 | Rated drawbar pull, with / without load | N | 4900 / 5200 | 4800 / 5100 | 4900 / 5200 | 4800 / 5100 | 4700 / 5100 |
| 5.6 | Maximum drawbar pull, with / without load (5 min short duty) | N | 14900 / 15200 | 14900 / 15200 | 15000 / 15300 | 14900 / 15200 | 14800 / 15200 |
| 5.7 | Gradeability, with / without load | % | 15 / 25 | 14 / 23 | 15 / 26 | 14 / 23 | 12 / 21 |
| 5.8 | Maximum gradeability, with / without load | % | 27 / 35 | 26 / 35 | 27 / 35 | 26 / 35 | 24 / 35 |
| 5.9 | Acceleration time (10 metres) with / without load | s | 4.1 / 3.8 | 4.2 / 3.8 | 4.0 / 3.8 | 4.2 / 3.8 | 3.9 / 4.4 |
| 5.10 | Service brakes (mechanical / hydraulic / electric / pneumatic) | | electric | electric | electric | electric | electric |
| Electric motors | | | | | | | |
| 6.1 | Drive motor capacity (60 min. short duty) | kW | 2 x 5.5 | 2 x 5.5 | 2 x 5.5 | 2x5.5 | 2x5.5 |
| 6.2 | Lift motor output at 15% duty factor | kW | 10 | 10 | 10 | 10 | 10 |
| 6.3 | Battery to DIN 43 531 / 35 / 36 A/B/C/no | | DIN 43531 A/no | DIN 43531 A/no | DIN 43531 A/no | DIN 43531 A/no | DIN 43531 A/no |
| 6.4 | Battery voltage/capacity at 5-hour discharge | V/Ah | 500-625 | 500-625 | 625-750 | 625-750 | 625-750 |
| 6.5 | Battery weight | kg | 679 | 679 | 679 | 812 | 812 |
| 6.6 | Energy consumption according to VDI 60 cycle | kWh/h | | | | | |
| Miscellaneous | | | | | | | |
| 8.1 | Type of drive control | | AC | AC | AC | AC | AC |
| 8.2 | Maximum operating pressure for attachments | bar | 210 | 210 | 210 | 210 | 210 |
| 8.3 | Oil flow for attachments | l/min | 30 | 30 | 30 | 30 | 30 |
| 8.4 | Noise level, value at operator's ear (EN 12053) | dB(A) | 65 | 65 | 65 | 65 | 65 |
| 8.5 | Towing coupling design / DIN type, ref. | | DIN15170-H | DIN15170-H | DIN15170-H | DIN15170-H | DIN15170-H |



- Ast = Working aisle width with load
- a = Safety clearance (200 mm)
- l6 = Pallet length (800 or 1000 mm)
- b12 = Pallet width (1200 mm)
- h1 = Height with mast lowered
- h2 = Standard free lift
- h3 = Lift height
- h4 = Height with mast raised
- h5 = Full free lift
- Q = Lifting capacity, rated load
- c = Load centre (distance)

Continuing improvement may lead to changes in these specifications

| MAST TYPE | h3 + s | h1 | h4 | h2 / h5 | tilt angle (fwd-rev) | |
|-----------|--------|-------|------|---------|----------------------|---------|
| | mm | mm | mm | mm | STD | CABIN |
| SIMPLEX | 2000 | 1480* | 3045 | 80 | 5 / 6 | N.A. |
| | 2560 | 1760* | 3605 | 80 | 5 / 6 | 5 / 5 |
| | 2760 | 1860* | 3805 | 80 | 5 / 7.5 | 5 / 6 |
| | 3000 | 1980* | 4045 | 80 | 5 / 7.5 | 5 / 6 |
| | 3290 | 2125 | 4335 | 80 | 5 / 7.5 | 5 / 7.5 |
| | 3530 | 2245 | 4575 | 80 | 5 / 7.5 | 5 / 7.5 |
| | 3720 | 2385 | 4765 | 80 | 5 / 7.5 | 5 / 7.5 |
| | 4090 | 2570 | 5135 | 80 | 5 / 7.5 | 5 / 7.5 |
| | 4480 | 2775 | 5525 | 80 | 5 / 5 | 5 / 5 |
| | 5000 | 3035 | 6045 | 80 | 5 / 5 | 5 / 5 |
| | 5500 | 3285 | 6545 | 80 | 5 / 3.5 | 5 / 3.5 |
| 6000 | 3535 | 7045 | 80 | 5 / 3.5 | 5 / 3.5 | |
| DUPLEX | 2800 | 1880* | 3845 | 835 | 5 / 6 | 5 / 6 |
| | 3000 | 1980* | 4045 | 935 | 5 / 6 | 5 / 6 |
| | 3295 | 2125 | 4340 | 1080 | 5 / 6 | 5 / 6 |
| | 3515 | 2245 | 4560 | 1200 | 5 / 6 | 5 / 6 |
| | 3700 | 2385 | 4745 | 1340 | 5 / 6 | 5 / 6 |
| | 4030 | 2570 | 5075 | 1525 | 5 / 6 | 5 / 6 |
| TRIPLEX | 3710 | 1780* | 4755 | 735 | 5 / 6 | 5 / 3.5 |
| | 4010 | 1880* | 5055 | 835 | 5 / 6 | 5 / 3.5 |
| | 4310 | 1980* | 5355 | 935 | 5 / 6 | 5 / 5 |
| | 4750 | 2125 | 5795 | 1080 | 5 / 6 | 5 / 5 |
| | 5090 | 2245 | 6135 | 1200 | 5 / 3.5 | 5 / 3.5 |
| | 5490 | 2385 | 6535 | 1340 | 5 / 3.5 | 5 / 3.5 |
| | 5990 | 2570 | 7035 | 1525 | 5 / 3.5 | 5 / 3.5 |
| | 6490 | 2830 | 7535 | 1785 | 5 / 3.5 | 5 / 3.5 |
| | 7000 | 3035 | 8045 | 1990 | 5 / 3.5 | 5 / 3.5 |

| 3 Wheels • 1.4 – 2.0 tonnes | | | | | | 4 Wheels • 1.6 – 2.0 tonnes | | | | |
|-----------------------------|-----------|-----------|-----------|-----------|-----------|-----------------------------|-----------|-----------|-----------|-----------|
| FB14ANT | FB16ACNT | FB18ACNT | FB16ANT | FB18ANT | FB20ANT | FB16CPNT | FB18CPNT | FB16PNT | FB18PNT | FB20PNT |
| Q @ | Q @ | Q @ | Q @ | Q @ | Q @ | Q @ | Q @ | Q @ | Q @ | Q @ |
| c = 500mm | c = 500mm | c = 500mm | c = 500mm | c = 500mm | c = 500mm | c = 500mm | c = 500mm | c = 500mm | c = 500mm | c = 500mm |
| kg | kg | kg | kg | kg | kg | kg | kg | kg | kg | kg |
| 1400 | 1600 | 1800 | 1600 | 1800 | 2000 | 1600 | 1800 | 1600 | 1800 | 2000 |
| 1400 | 1600 | 1800 | 1600 | 1800 | 2000 | 1600 | 1800 | 1600 | 1800 | 2000 |
| 1400 | 1600 | 1800 | 1600 | 1800 | 2000 | 1600 | 1800 | 1600 | 1800 | 2000 |
| 1400 | 1600 | 1800 | 1600 | 1800 | 2000 | 1600 | 1800 | 1600 | 1800 | 2000 |
| 1400 | 1600 | 1800 | 1600 | 1800 | 2000 | 1600 | 1800 | 1600 | 1800 | 2000 |
| 1400 | 1600 | 1800 | 1600 | 1800 | 2000 | 1600 | 1800 | 1600 | 1800 | 2000 |
| 1400 | 1600 | 1800 | 1600 | 1800 | 2000 | 1600 | 1800 | 1600 | 1800 | 2000 |
| 1400 | 1600 | 1800 | 1600 | 1800 | 2000 | 1600 | 1800 | 1600 | 1800 | 2000 |
| 1400 | 1600 | 1800 | 1600 | 1800 | 2000 | 1600 | 1800 | 1600 | 1800 | 2000 |
| 1400 | 1600 | 1800 | 1600 | 1800 | 2000 | 1600 | 1800 | 1600 | 1800 | 2000 |
| 1350 | | | | | | | | 1600 | 1800 | 2000 |
| 1300 | | | | | | | | 1600 | | 1950 |
| 1250 | | | | | | | | 1550 | | 1875 |
| 1200 | | | | | | | | 1500 | | 1825 |
| 1400 | 1600 | 1800 | 1600 | 1800 | 2000 | 1600 | 1800 | 1600 | 1800 | 2000 |
| 1400 | 1600 | 1800 | 1600 | 1800 | 2000 | 1600 | 1800 | 1600 | 1800 | 2000 |
| 1400 | 1600 | 1800 | 1600 | 1800 | 2000 | 1600 | 1800 | 1600 | 1800 | 2000 |
| 1400 | 1600 | 1800 | 1600 | 1800 | 2000 | 1600 | 1800 | 1600 | 1800 | 2000 |
| 1400 | 1600 | 1800 | 1600 | 1800 | 2000 | 1600 | 1800 | 1600 | 1800 | 2000 |
| 1400 | 1600 | 1800 | 1600 | 1800 | 2000 | 1600 | 1800 | 1600 | 1800 | 2000 |
| 1350 | 1550 | 1750 | 1550 | 1775 | 1975 | 1600 | 1800 | 1600 | 1800 | 2000 |
| 1400 | 1600 | 1800 | 1600 | 1800 | 2000 | 1600 | 1800 | 1600 | 1800 | 2000 |
| 1400 | 1600 | 1800 | 1600 | 1800 | 2000 | 1600 | 1800 | 1600 | 1800 | 2000 |
| 1350 | 1600 | 1750 | 1600 | | | 1600 | 1800 | 1600 | 1800 | 2000 |
| 1300 | 1600 | 1700 | 1550 | | | | | 1600 | 1800 | 2000 |
| 1275 | 1450 | 1650 | 1550 | | | | | 1600 | | 1925 |
| 1225 | 1400 | 1650 | 1500 | | | | | 1550 | | 1900 |
| 1175 | 1350 | 1600 | 1400 | 1525 | 1725 | | | 1450 | | 1800 |
| 1125 | 1350 | 1350 | 1350 | 1400 | 1650 | | | 1450 | | 1600 |
| 1100 | 1150 | 1100 | 1100 | 1100 | 1350 | | | 1200 | | 1300 |

* Lower than overhead guard

| Battery Dimensions | | 3 Wheels • 1.4 – 2.0 tonnes | | | | | | 4 Wheels • 1.6 – 2.0 tonnes | | | | |
|--------------------------------|----|-----------------------------|-------------|-------------|-------------|-------------|-------------|-----------------------------|-------------|-------------|-------------|-------------|
| | | 14ANT | 16ACNT | 18ACNT | 16ANT | 18ANT | 20ANT | 16ACN | 18ACN | 16AN | 18AN | 20AN |
| Battery voltage | V | 48 | 48 | 48 | 48 | 48 | 48 | 48 | 48 | 48 | 48 | 48 |
| Capacity at a 5-hour discharge | Ah | 500 / 625 | 500 / 625 | 500 / 625 | 625 / 750 | 625 / 750 | 625 / 750 | 500 / 625 | 500 / 625 | 625 / 750 | 625 / 750 | 625 / 750 |
| Battery weight, Min. | kg | 679 / 812 | 679 / 812 | 679 / 812 | 812 / 900 | 812 / 900 | 812 / 900 | 679 / 812 | 679 / 812 | 812 / 900 | 812 / 900 | 812 / 900 |
| Battery weight, Max. | kg | 1000 / 1000 | 1000 / 1000 | 1000 / 1000 | 1060 / 1060 | 1060 / 1060 | 1060 / 1060 | 1000 / 1000 | 1000 / 1000 | 1060 / 1060 | 1060 / 1060 | 1060 / 1060 |
| Battery box dimensions | | | | | | | | | | | | |
| Length | mm | 522 | 522 | 522 | 630 | 630 | 630 | 522 | 522 | 630 | 630 | 630 |
| Width | mm | 830 / 1006 | 830 / 1006 | 830 / 1006 | 830 / 1006 | 830 / 1006 | 830 / 1006 | 830 / 1006 | 830 / 1006 | 830 / 1006 | 830 / 1006 | 830 / 1006 |
| Height | mm | 627 | 627 | 627 | 627 | 627 | 627 | 627 | 627 | 627 | 627 | 627 |
| Battery compartment size | | | | | | | | | | | | |
| Length | mm | 532 | 532 | 532 | 640 | 640 | 640 | 532 | 532 | 640 | 640 | 640 |
| Width | mm | 850 / 1018 | 850 / 1018 | 850 / 1018 | 850 / 1018 | 850 / 1018 | 850 / 1018 | 850 / 1018 | 850 / 1018 | 850 / 1018 | 850 / 1018 | 850 / 1018 |
| Height | mm | 690 (660*) | 690 (660*) | 690 (660*) | 690 (660*) | 690 (660*) | 690 (660*) | 690 (660*) | 690 (660*) | 690 (660*) | 690 (660*) | 690 (660*) |

*With battery exchange rolls

| | 3 WHEEL 48V | | | | | | 4 WHEEL 48V | | | | |
|--------------------------------------------------------------------------------------------------------------------------|-------------|----------|----------|---------|---------|---------|-------------|---------|--------|--------|--------|
| | EP14ANT | EP16ACNT | EP18ACNT | EP16ANT | EP18ANT | EP20ANT | EP16ACN | EP18ACN | EP16AN | EP18AN | EP20AN |
| 3- and 4- Wheel chassis, 48 Volts, front wheel drive | ✓ | ✓ | ✓ | ✓ | ✓ | ✓ | ✓ | ✓ | ✓ | ✓ | ✓ |
| Trucktool setup and diagnostics | ✓ | ✓ | ✓ | ✓ | ✓ | ✓ | ✓ | ✓ | ✓ | ✓ | ✓ |
| Operator selectable economy or high performance modes ECO/PRO | ✓ | ✓ | ✓ | ✓ | ✓ | ✓ | ✓ | ✓ | ✓ | ✓ | ✓ |
| Variable speed control on all hydraulic functions | ✓ | ✓ | ✓ | ✓ | ✓ | ✓ | ✓ | ✓ | ✓ | ✓ | ✓ |
| Multifunctional colour display (Hour meter, BDI,...) | ✓ | ✓ | ✓ | ✓ | ✓ | ✓ | ✓ | ✓ | ✓ | ✓ | ✓ |
| Lift tilt interlock and hydraulic and drive interlock / PDS | ✓ | ✓ | ✓ | ✓ | ✓ | ✓ | ✓ | ✓ | ✓ | ✓ | ✓ |
| Tilttable steering column | ✓ | ✓ | ✓ | ✓ | ✓ | ✓ | ✓ | ✓ | ✓ | ✓ | ✓ |
| Full electrical brakes | ✓ | ✓ | ✓ | ✓ | ✓ | ✓ | ✓ | ✓ | ✓ | ✓ | ✓ |
| SST (Seat Switch Timeout: all functions are disabled – truck enters 'stop mode' and park brake is automatically applied) | ✓ | ✓ | ✓ | ✓ | ✓ | ✓ | ✓ | ✓ | ✓ | ✓ | ✓ |
| Curve control | ✓ | ✓ | ✓ | ✓ | ✓ | ✓ | ✓ | ✓ | ✓ | ✓ | ✓ |
| Basic Overhead Guard | ✓ | ✓ | ✓ | ✓ | ✓ | ✓ | ✓ | ✓ | ✓ | ✓ | ✓ |
| Simplex, Duplex or Triplex masts, from 3m to 7m | ✓ | ✓ | ✓ | ✓ | ✓ | ✓ | ✓ | ✓ | ✓ | ✓ | ✓ |
| Forks 900mm - 2000mm | ✓ | ✓ | ✓ | ✓ | ✓ | ✓ | ✓ | ✓ | ✓ | ✓ | ✓ |
| Load Backrest | ✓ | ✓ | ✓ | ✓ | ✓ | ✓ | ✓ | ✓ | ✓ | ✓ | ✓ |
| Passive sway control for mast at high lifts | ✓ | ✓ | ✓ | ✓ | ✓ | ✓ | ✓ | ✓ | ✓ | ✓ | ✓ |
| Battery compartment side door and opening battery hood cover | ✓ | ✓ | ✓ | ✓ | ✓ | ✓ | ✓ | ✓ | ✓ | ✓ | ✓ |
| Rapid sideways battery exchange chassis (SWE) | ✓ | ✓ | ✓ | ✓ | ✓ | ✓ | ✓ | ✓ | ✓ | ✓ | ✓ |
| Chassis-integrated roller bed (FOR BATTERY SWE) | ✓ | ✓ | ✓ | ✓ | ✓ | ✓ | ✓ | ✓ | ✓ | ✓ | ✓ |
| Basic overhead guard | ✓ | ✓ | ✓ | ✓ | ✓ | ✓ | ✓ | ✓ | ✓ | ✓ | ✓ |
| Narrow Overhead guard for drive in racking | ✓ | ✓ | ✓ | ✓ | ✓ | ✓ | ✓ | ✓ | ✓ | ✓ | ✓ |
| Special (RAL) colour for frame | ✓ | ✓ | ✓ | ✓ | ✓ | ✓ | ✓ | ✓ | ✓ | ✓ | ✓ |
| Automated reversing light | ✓ | ✓ | ✓ | ✓ | ✓ | ✓ | ✓ | ✓ | ✓ | ✓ | ✓ |
| Automatic light switch | ✓ | ✓ | ✓ | ✓ | ✓ | ✓ | ✓ | ✓ | ✓ | ✓ | ✓ |
| Amber strobe light | ✓ | ✓ | ✓ | ✓ | ✓ | ✓ | ✓ | ✓ | ✓ | ✓ | ✓ |
| Electronic back-up smart alarm | ✓ | ✓ | ✓ | ✓ | ✓ | ✓ | ✓ | ✓ | ✓ | ✓ | ✓ |
| "Blue Point" safety light, located rear and/or front | ✓ | ✓ | ✓ | ✓ | ✓ | ✓ | ✓ | ✓ | ✓ | ✓ | ✓ |
| LED working lights, 2 front and 1 rear | ✓ | ✓ | ✓ | ✓ | ✓ | ✓ | ✓ | ✓ | ✓ | ✓ | ✓ |
| Road light kit | ✓ | ✓ | ✓ | ✓ | ✓ | ✓ | ✓ | ✓ | ✓ | ✓ | ✓ |
| Automatic tilt centering via the F2 button on fingertip controller | ✓ | ✓ | ✓ | ✓ | ✓ | ✓ | ✓ | ✓ | ✓ | ✓ | ✓ |
| Tilt centering second function. Two pcs. of angle memories | ✓ | ✓ | ✓ | ✓ | ✓ | ✓ | ✓ | ✓ | ✓ | ✓ | ✓ |
| Sideshifter W920mm | ✓ | ✓ | ✓ | ✓ | ✓ | ✓ | ✓ | ✓ | ✓ | ✓ | ✓ |
| Integrated Sideshifter W920mm | ✓ | ✓ | ✓ | ✓ | ✓ | ✓ | ✓ | ✓ | ✓ | ✓ | ✓ |
| Integrated Fork Positioner with sideshift | ✓ | ✓ | ✓ | ✓ | ✓ | ✓ | ✓ | ✓ | ✓ | ✓ | ✓ |
| Load weight indicator, in 50kg increments | ✓ | ✓ | ✓ | ✓ | ✓ | ✓ | ✓ | ✓ | ✓ | ✓ | ✓ |
| 3 valve hydraulic fingertip control mounted on adjustable armrest | ✓ | ✓ | ✓ | ✓ | ✓ | ✓ | ✓ | ✓ | ✓ | ✓ | ✓ |
| Manual lever hydraulic control | ✓ | ✓ | ✓ | ✓ | ✓ | ✓ | ✓ | ✓ | ✓ | ✓ | ✓ |
| 4th & 5th hydraulic options | ✓ | ✓ | ✓ | ✓ | ✓ | ✓ | ✓ | ✓ | ✓ | ✓ | ✓ |



✓ Standard ✓ Option

| | 3 WHEEL 48V | | | | | | 4 WHEEL 48V | | | | |
|------------------------------------------------------------------------------------------------------|-------------|----------|----------|---------|---------|---------|-------------|---------|--------|--------|--------|
| | EP14ANT | EP16ACNT | EP18ACNT | EP16ANT | EP18ANT | EP20ANT | EP16ACN | EP18ACN | EP16AN | EP18AN | EP20AN |
| Hot area hydraulic oil, VG46 | ✓ | ✓ | ✓ | ✓ | ✓ | ✓ | ✓ | ✓ | ✓ | ✓ | ✓ |
| Cold area hydraulic oil, VG15 | ✓ | ✓ | ✓ | ✓ | ✓ | ✓ | ✓ | ✓ | ✓ | ✓ | ✓ |
| Hydraulic oil food grade | ✓ | ✓ | ✓ | ✓ | ✓ | ✓ | ✓ | ✓ | ✓ | ✓ | ✓ |
| Bio grade oil | ✓ | ✓ | ✓ | ✓ | ✓ | ✓ | ✓ | ✓ | ✓ | ✓ | ✓ |
| Hydraulic accumulator for smoother load handling on rough surfaces | ✓ | ✓ | ✓ | ✓ | ✓ | ✓ | ✓ | ✓ | ✓ | ✓ | ✓ |
| 240V Power supply for accessories | ✓ | ✓ | ✓ | ✓ | ✓ | ✓ | ✓ | ✓ | ✓ | ✓ | ✓ |
| Pin code access | ✓ | ✓ | ✓ | ✓ | ✓ | ✓ | ✓ | ✓ | ✓ | ✓ | ✓ |
| Armrest direction control | ✓ | ✓ | ✓ | ✓ | ✓ | ✓ | ✓ | ✓ | ✓ | ✓ | ✓ |
| Forward-reverse direction selection lever on steering column | ✓ | ✓ | ✓ | ✓ | ✓ | ✓ | ✓ | ✓ | ✓ | ✓ | ✓ |
| 5V USB connector output 2x 2.5A (max. 4.4A) | ✓ | ✓ | ✓ | ✓ | ✓ | ✓ | ✓ | ✓ | ✓ | ✓ | ✓ |
| Dual pedal system - forward and reverse | ✓ | ✓ | ✓ | ✓ | ✓ | ✓ | ✓ | ✓ | ✓ | ✓ | ✓ |
| Operator presence pedal | ✓ | ✓ | ✓ | ✓ | ✓ | ✓ | ✓ | ✓ | ✓ | ✓ | ✓ |
| Performance reduction from 2m to 3.5m mast (above standard) | ✓ | ✓ | ✓ | ✓ | ✓ | ✓ | ✓ | ✓ | ✓ | ✓ | ✓ |
| Grammer MSG65 vinyl with seat belt switch | ✓ | ✓ | ✓ | ✓ | ✓ | ✓ | ✓ | ✓ | ✓ | ✓ | ✓ |
| Grammer MSG65 or MSG75 with options vinyl / cloth / heater / backrest extension / Armrest (MSG65) | ✓ | ✓ | ✓ | ✓ | ✓ | ✓ | ✓ | ✓ | ✓ | ✓ | ✓ |
| Swivel seat | ✓ | ✓ | ✓ | ✓ | ✓ | ✓ | ✓ | ✓ | ✓ | ✓ | ✓ |
| Solid pneumatic tyres | ✓ | ✓ | ✓ | ✓ | ✓ | ✓ | ✓ | ✓ | ✓ | ✓ | ✓ |
| Solid non-marking tyres | ✓ | ✓ | ✓ | ✓ | ✓ | ✓ | ✓ | ✓ | ✓ | ✓ | ✓ |
| Panel cabin: Front screen with wiper + roof with creane opening | ✓ | ✓ | ✓ | ✓ | ✓ | ✓ | ✓ | ✓ | ✓ | ✓ | ✓ |
| Panel cabin: Economy. Front screen without wiper, plexi roof cover | ✓ | ✓ | ✓ | ✓ | ✓ | ✓ | ✓ | ✓ | ✓ | ✓ | ✓ |
| Panel cabin steel doors | ✓ | ✓ | ✓ | ✓ | ✓ | ✓ | ✓ | ✓ | ✓ | ✓ | ✓ |
| Panel cabin rear screen | ✓ | ✓ | ✓ | ✓ | ✓ | ✓ | ✓ | ✓ | ✓ | ✓ | ✓ |
| Plexi roof cover | ✓ | ✓ | ✓ | ✓ | ✓ | ✓ | ✓ | ✓ | ✓ | ✓ | ✓ |
| PVC doors | ✓ | ✓ | ✓ | ✓ | ✓ | ✓ | ✓ | ✓ | ✓ | ✓ | ✓ |
| Interior package, including radio with speakers, roof lining, reading light. | ✓ | ✓ | ✓ | ✓ | ✓ | ✓ | ✓ | ✓ | ✓ | ✓ | ✓ |
| Deluxe cabin, including wind screen with wiper, roof, rear, steel doors, heater and interior lining. | ✓ | ✓ | ✓ | ✓ | ✓ | ✓ | ✓ | ✓ | ✓ | ✓ | ✓ |
| Heater for cabin | ✓ | ✓ | ✓ | ✓ | ✓ | ✓ | ✓ | ✓ | ✓ | ✓ | ✓ |
| Rear view mirror, Basic / Outside / Wide view | ✓ | ✓ | ✓ | ✓ | ✓ | ✓ | ✓ | ✓ | ✓ | ✓ | ✓ |
| List bracket - A4 | ✓ | ✓ | ✓ | ✓ | ✓ | ✓ | ✓ | ✓ | ✓ | ✓ | ✓ |
| Powder fire extinguisher | ✓ | ✓ | ✓ | ✓ | ✓ | ✓ | ✓ | ✓ | ✓ | ✓ | ✓ |
| Sun visor | ✓ | ✓ | ✓ | ✓ | ✓ | ✓ | ✓ | ✓ | ✓ | ✓ | ✓ |
| Accessory rack | ✓ | ✓ | ✓ | ✓ | ✓ | ✓ | ✓ | ✓ | ✓ | ✓ | ✓ |
| RAM-Mounts dummy, D-Serie | ✓ | ✓ | ✓ | ✓ | ✓ | ✓ | ✓ | ✓ | ✓ | ✓ | ✓ |
| RAM-Mounts computer rack, C-serie | ✓ | ✓ | ✓ | ✓ | ✓ | ✓ | ✓ | ✓ | ✓ | ✓ | ✓ |
| RAM-Mounts scanner rack, C-serie | ✓ | ✓ | ✓ | ✓ | ✓ | ✓ | ✓ | ✓ | ✓ | ✓ | ✓ |
| Storage plastic locker | ✓ | ✓ | ✓ | ✓ | ✓ | ✓ | ✓ | ✓ | ✓ | ✓ | ✓ |
| Cold store option, (to -35C) | ✓ | ✓ | ✓ | ✓ | ✓ | ✓ | ✓ | ✓ | ✓ | ✓ | ✓ |



✓ Standard ✓ Option

EDIA EM

THE ELECTRIC DIAMOND

The family name EDIA appears proudly on our award-winning range of electric forklift trucks.

The reputation that Mitsubishi Forklift Trucks enjoys for endurance and reliability has likened them to the quality and enduring value of a diamond.

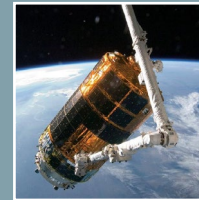


MOVE THE WORLD FORWARD MITSUBISHI HEAVY INDUSTRIES GROUP



Like any product bearing the Mitsubishi name, our materials handling equipment benefits from the huge resources and cutting-edge technology of one of the world's largest corporations. So when we promise you **quality, reliability** and **value for money**, you know it's a guarantee we have the power to deliver.

Every model in our comprehensive, award-winning range of forklift trucks and warehouse equipment is built to a high specification and is designed to keep on working for you... day after day... year after year... whatever the job... whatever the conditions.



To ensure your truck stays in constant productive action, we have a network of local dealers – hand-picked for their commitment to customer care... and backed up by the Mitsubishi Forklift Trucks organisation. No matter where you are, we have a dealer close by – ready and willing to meet your needs.

That friendly local service covers everything from identifying the perfect model and configuration for your application to providing competitive, flexible finance and maintenance packages, unbeatable warranties, long and short term hire, and highly responsive field service and repairs... as well as the industry's quickest and most reliable parts supply.



Only Mitsubishi can give you this combination of global engineering excellence and outstanding local support... only Mitsubishi offers you such a quality product at such an affordable price... and only Mitsubishi places reliability as high as you do in its priorities. Contact your local dealer now and see what Mitsubishi can do for you.

You can find your nearest dealer at www.mitforklift.com



CESM1915 (06/18)
© 2018 MCFE

mitforklift@mcf.nl www.mitforklift.com

NOTE: Performance specifications may vary depending on standard manufacturing tolerances, vehicle condition, types of tyres, floor or surface conditions, applications or operating environment. Trucks may be shown with non-standard options. Specific performance requirements and locally available configurations should be discussed with your distributor of Mitsubishi forklift trucks. Mitsubishi follows a policy of continual product improvement. For this reason, some materials, options and specifications could change without notice.

