

FGC35-70K Series

LPG Counterbalance • 4 Wheel Cushion Tyres
3.5 – 7.0 tonnes

Rugged and powerful... refined and clean

With its powerful Mitsubishi engine, heavy duty masts and rugged, ultra-stable construction, you can rely on this forklift truck to deliver high productivity – day after day, year after year. At the same time, you will enjoy the benefits of a refined driving experience, low noise and low emissions.

Use of cushion tyres has allowed the designers to develop a compact truck with an extremely low centre of gravity, offering high residual capacities. The tyres give excellent traction on smooth surfaces and reduce energy consumption. To gain the utmost advantage from these features, operators are provided with a comfortable, ergonomic operating compartment and smooth, precise controls.



FGC35K
FGC40K
FGC40K STC
FGC45K SWB
FGC45K STC
FGC55K
FGC55K STC
FGC60K
FGC70K
FGC70K STC

Frame and body

- **Advanced frame and overhead guard design** results in an unusually low centre of gravity, great stability, high productivity and optimum driver protection.
- **Lead-filled counterweights** add extra manoeuvrability by allowing reduction in truck length (FGC40K STC, FGC55 STC and FGC70K STC).

Mast and fork assembly

- **Heavy duty masts** give strength and durability for optimum performance.
- **Clear-view construction** allows maximum visibility through mast, fork carriage and overhead guard – for maximum operator safety and output.

Drive

- **Advanced LPG engine** with engine management system and 3-way catalytic converter delivers precisely controlled performance, high fuel economy and low emissions.

FGC35-70K Series

LPG Counterbalance • 4 Wheel Cushion Tyres • 3.5 – 7.0 tonnes

Characteristics						
1.1	Manufacturer (abbreviation)				Mitsubishi	Mitsubishi
1.2	Manufacturer's model designation				FGC35K	FGC40K
1.3	Power source: (battery, diesel, LP gas, petrol)				LP gas	LP gas
1.4	Operator type: pedestrian, (operator) standing, seated				Seated	Seated
1.5	Load capacity	Q	kg		3500	4000
1.6	Load centre distance	c	(mm)		500	500
1.8	Load distance	x	(mm)		450	450
1.9	Wheelbase	y	(mm)		1575	1575
Weights						
2.1	Truck weight, without load/including battery (simplex mast, lowest lifting height)		kg		5240	5570
2.2	Axle loading with maximum load, front/rear (simplex mast, lowest lifting height)		kg		7670 / 1030	8440 / 1160
2.3	Axle loading without load, front/rear (simplex mast, lowest lifting height)		kg		2050 / 3150	2025 / 3575
Wheels and Tyres						
3.1	Tyres: V=solid, L=pneumatic, SE=solid pneumatic – front/rear				V/V	V/V
3.2	Tyre dimensions, front				22x9x16	22x9x16
3.3	Tyre dimensions, rear				18x7x12.1	18x7x12.1
3.5	Number of wheels, front/rear (x=driven)				2X/2	2X/2
3.6	Track width (centre of tyres), front	b10	(mm)		940	940
3.7	Track width (centre of tyres), rear	b11	(mm)		980	980
Dimensions						
4.1	Mast tilt, forwards/backwards	α/β	°		5 / 10	5 / 10
4.2	Height with mast lowered (see tables)	h1	(mm)		2120	2120
4.3	Free lift (see tables)	h2	(mm)		150	150
4.4	Lift height (see tables)	h3	(mm)		3000	3000
4.5	Overall height with mast raised	h4	(mm)		4270	4270
4.7	Height to top of overhead guard	h6	(mm)		2205	2205
4.8	Seat height	h7	(mm)		1200	1200
4.12	Tow coupling height	h10	(mm)			
4.19	Overall length	l1	(mm)		3730	3770
4.20	Length to fork face (includes fork thickness)	l2	(mm)		2510	2550
4.21	Overall width	b1/b2	(mm)		1180	1180
4.22	Fork dimensions (thickness, width, length)	s / e / l	(mm)		50 x 150 x 1220	50 x 150 x 1220
4.23	Fork carriage to DIN 15 173 A/B/no				3A	3A
4.24	Fork carriage width	b3	(mm)		1125	1125
4.31	Ground clearance under mast, with load	m1	(mm)		100	100
4.32	Ground clearance at centre of wheelbase, with load (forks lowered)	m2	(mm)		150	150
4.33	Working aisle width with 1000 x 1200mm pallets, crosswise	Ast	(mm)		3885	3935
4.34	Working aisle width with 800 x 1200mm pallets, crosswise	Ast	(mm)		3685	3735
4.35	Turning circle radius	Wa	(mm)		2235	2285
4.36	Minimum distance between centres of rotation	b13	(mm)			
Performance						
5.1	Travel speed, with/without load		km/h		19.0 / 19.5	19.0 / 19.5
5.2	Lifting speed, with/without load		m/s		0.54 / 0.57	0.54 / 0.57
5.3	Lowering speed, with/without load		m/s		0.55 / 0.50	0.55 / 0.50
5.5	Rated drawbar pull, with/without load		N			
5.6	Maximum drawbar pull, with/without load (5 min short duty)		N			
5.7	Gradeability, with/without load		%		37.0	33.0
5.8	Maximum gradeability, with/without load		%		42 / 24	37 / 21
5.9	Acceleration time (10 metres) with/without load		s			
5.10	Service brakes (mechanical/hydraulic/electric/pneumatic)				Hydraulic	Hydraulic
IC Engine						
7.1	Manufacturer / Type				69	GM V6
7.2	Rated output to ISO 1585		kW		2450	69
7.3	Rated speed to DIN 70 020		rpm		4300	2450
7.4	Number of cylinders / cubic capacity		/cm ³			4300
7.5	Fuel consumption according to VDI cycle		l/h / kg/h			
Miscellaneous						
8.1	Type of drive control				Powershift	Powershift
8.2	Maximum operating pressure for attachments		bar		155	155
8.3	Oil flow for attachments		l/min		95	95
8.4	Noise level, mean value at operator's ear		dB(A)		83.5	83.5
8.5	Towing coupling design / DIN type, ref.				Pin	Pin

Continuing improvement may lead to changes in these specifications.

	Mitsubishi FGC40K STC	Mitsubishi FGC45K SWB	Mitsubishi FGC45K STC	Mitsubishi FGC55K	Mitsubishi FGC55K STC	Mitsubishi FGC60K
	LP gas	LP gas	LP gas	LP gas	LP gas	LP gas
	Seated	Seated	Seated	Seated	Seated	Seated
	4000	4500	4500	5500	5500	6000
	500	600	600	600	600	600
	450	465	465	480	480	530
	1575	1575	1575	1780	1780	1830
	5655	6470	6510	7190	7550	8760
	8310 / 930	9520 / 1480	9755 / 1250	11260 / 1140	11435 / 1535	13040 / 1760
	2240 / 3370	1925 / 4575	2080 / 4385	2425 / 4775	2665 / 4865	3300 / 5500
	V/V	V/V	V/V	V/V	V/V	V/V
	22x9x16	22x9x16	22x9x16	22x12x16	22x12x16	28x12x22
	18x7x12.1	18x7x12.1	18x7x12.1	18x8x12.1	18x8x12.1	22x8x16
	2X/2	2X/2	2X/2	2X/2	2X/2	2X/2
	940	940	940	1015	1015	1130
	980	980	980	965	965	1160
	5 / 10	5 / 10	5 / 10	5 / 10	5 / 10	6 / 9
	2120	2120	2120	2120	2120	2150
	150	160	160	160	160	165
	3000	2850	2850	2840	2840	2295
	4270	4120	4120	4120	4120	3580
	2205	2205	2205	2205	2205	2255
	1200	1200	1200	1200	1200	1285
	3630	3840	3715	4130	3875	4170
	2411	2620	2496	2910	2655	2950
	1180	1180	1180	1320	1320	1440
	50 x 150 x 1220	50 x 150 x 1220	50 x 150 x 1220	60 x 150 x 1220	60 x 150 x 1220	65 x 150 x 1220
	3A	3A	3A	4A	4A	4A
	1125	1125	1125	1125	1125	1295
	100	100	100	100	100	100
	150	150	150	150	150	200
	3741	4005	3899	4230	4030	4300
	3541	3805	3699	4030	3830	4100
	2091	2340	2234	2550	2350	2570
	19.0 / 19.5	18.5 / 19.5	18.5 / 19.5	18.0 / 19.5	18.0 / 19.5	21.0 / 23.0
	0.54 / 0.57	0.39 / 0.42	0.39 / 0.42	0.39 / 0.42	0.39 / 0.42	0.36 / 0.39
	0.55 / 0.50	0.44 / 0.41	0.44 / 0.41	0.44 / 0.41	0.44 / 0.41	0.54 / 0.39
	32.0	27.0	27	22.5	22.0	24.5
	36 / 21	30 / 17	30 / 17	26.0 / 20.0	25.0 / 21.0	30.0 / 22.0
	Hydraulic	Hydraulic	Hydraulic	Hydraulic	Hydraulic	Hydraulic
	GM V6	GM V6	GM V6	GM V6	GM V6	GM V6
	69	69	69	69	69	69
	2450	2450	2450	2450	2450	2450
	4300	4300	4300	4300	4300	4300
	Powershift	Powershift	Powershift	Powershift	Powershift	Powershift
	155	155	155	155	155	155
	95	95	95	95	95	115
	83.5	83.5	83.5	83.5	83.5	83.5
	Pin	Pin	Pin	Pin	Pin	Pin

Mitsubishi	Mitsubishi
FGC70K	FGC70K STC
LP gas	LP gas
Seated	Seated
7000	7000
600	600
530	530
1830	1830

9480	9920
14590 / 1910	15000 / 2030
3300 / 6200	3600 / 6400

V/V	V/V
28x12x22	28x12x22
22x8x16	22x8x16
2X/2	2X/2
1130	1130
1160	1160

6 / 9	6 / 9
2150	2150
165	165
2295	2295
3580	3580
2255	2255
1285	1285

4170	3950
2950	2730
1440	1440

65 x 150 x 1220	65 x 150 x 1220
4A	4A
1295	1295
100	100
200	200
4300	4200
4100	4000
2570	2470

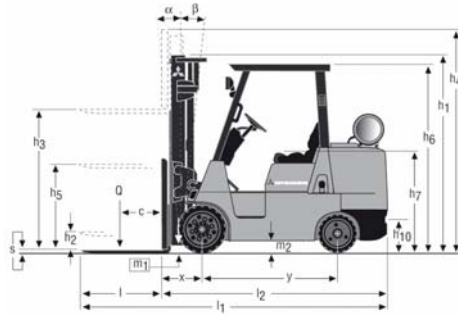
20.5 / 23.0	20.5 / 22.5
0.36 / 0.39	0.36 / 0.39
0.54 / 0.39	0.54 / 0.39

21.5	20.5
27.0 / 20.5	26.0 / 21.0

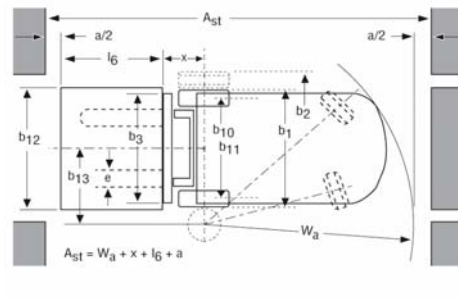
Hydraulic	Hydraulic
-----------	-----------

GM V6	GM V6
69	69
2450	2450
4300	4300

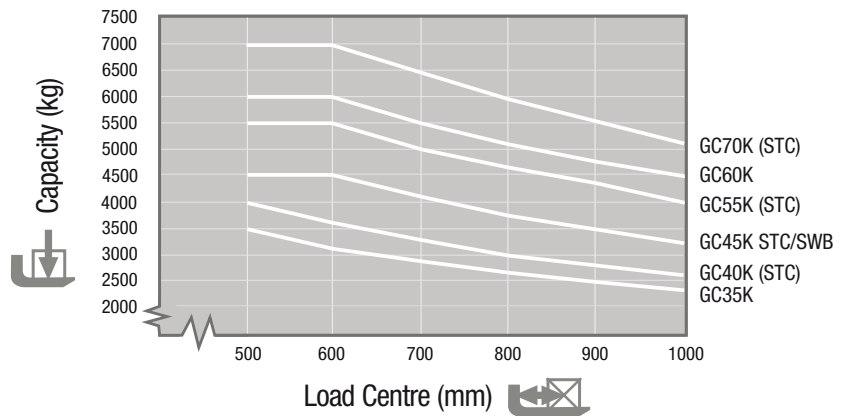
Powershift	Powershift
155	155
115	115
83.5	83.5
Pin	Pin



- h1 Height with mast lowered
- h2 Standard free lift
- h3 Lift height
- h4 Height with mast raised
- Q Lifting capacity, rated load
- c Load centre (distance)



- Ast = $Wa + x + l6 + a$
- Ast = Working aisle width
- Wa = Turning radius
- a = Safety clearance
- a = 2 x 100 mm
- l6 = Pallet length (800 or 1000 mm)
- b12 = Pallet width (1200 mm)



Mast Performance and Capacity

FGC35K/FGC40K/FGC40K STC				FGC35K	FGC40K	FGC40K STC	FGC45K SWB/FGC45K STC/FGC55K/FGC55K STC				FGC45K SWB	FGC45K STC	FGC55K	FGC55K STC	
Mast type	h3 (mm)	h1 (mm)	h4 (mm)	h2/h5 (mm)	Q @ c=500mm kg	Q @ c=500mm kg	Q @ c=500mm kg	h3 (mm)	h1 (mm)	h4 (mm)	h2/h5 (mm)	Q @ c=600mm kg	Q @ c=600mm kg	Q @ c=600mm kg	Q @ c=600mm kg
Simplex	3050	2120	4250	150	3500	4000	4000	2890	2120	4090	160	4500	4500	5500	5500
	3350	2270	4550	150	3500	4000	4000	3350	2350	4550	160	4500	4500	5500	5500
	3750	2470	4950	150	3500	4000	4000	3550	2450	4750	160	4500	4500	5500	5500
	4050	2650	5250	150	3500	4000	4000	4050	2800	5250	160	4500	4500	5500	5500
	4550	2950	5750	150	3500	4000	4000	4550	3050	5750	160	4500	4500	5500	5500
	5050	3200	6250	150	3500	4000	3850	5050	3300	6250	160	4500	4500	5500	5350
	5300	3300	6500	150	3450	3600	3500	5300	3400	6500	160	4000	4000	5500	5250
	5550	3450	6750	150	2600	2650	2600	5550	3550	6750	160	2700	2700	4500	4500
6050	3700	7250	150	1400	1450	1400	6050	3800	7250	160	1000	1000	2600	2600	
Duplex	3050	2120	4250	920	3500	4000	4000	2850	2120	4050	895	4500	4500	5500	5500
	3280	2270	4480	1070	3500	4000	4000	3330	2350	4530	1125	4500	4500	5500	5500
	3700	2470	4900	1270	3500	4000	4000	3530	2450	4730	1225	4500	4500	5500	5500
	3960	2650	5160	1450	3500	4000	4000	4130	2800	5330	1575	4500	4500	5500	5500
Triplex (*)	4050	2000	5250	800	3500	4000	4000	4360	2120	5560	920	4500			
	4410	2120	5610	920	3500	4000	3950	4630	2210	5830	1010	4500			
	4650	2200	5850	1000	3500	4000	3850	4800	2350	6000	1150	4500			
	5100	2350	6300	1150	3400	3900	3750	5100	2450	6300	1250	4500			
	5310	2420	6510	1220	3350	3850	3700	5310	2520	6510	1320	4450			
	5550	2500	6750	1300	3300	3800	3650	5550	2600	6750	1400	4400			
	6050	2700	7250	1500	3000	3000	3000	6050	2800	7250	1600	3200			
	6550	2900	7750	1700	2650	2650	2650	6550	3000	7750	1800	2700			
	7050	3100	8250	1900	1650	1650	1650	7050	3200	8250	2000	1400			
								Triplex FGC45K / FGC55K / FGC55K STC (*)							
								4360	2120	5560	920		4500	5500	5500
								4630	2210	5830	1010		4500	5500	5500
								4800	2350	6000	1150		4500	5500	5350
								5100	2450	6300	1250		4450	5500	5250
								5310	2520	6510	1320		4400	5400	5150
								5550	2600	6750	1400		4350	5350	5100
								6050	2800	7250	1600		3200	5100	5000
								6550	3000	7750	1800		2700	4250	4250
								7050	3200	8250	2000		1400	2650	2650

(*) Data for wide-stance configuration with double front wheels.



Advanced LPG engine



Clear-view mast



Robust construction



Auto-style pedals

		FGC60K/FGC70K/FGC70K STC				FGC60K	FGC70K	FGC70K STC
Mast type		h3 (mm)	h1 (mm)	h4 (mm)	h2/h5 (mm)	Q @ c=600mm kg	Q @ c=600mm kg	Q @ c=600mm kg
Simplex		2365	2150	3585	165	6000	7000	7000
		3065	2500	4285	165	6000	7000	7000
		3365	2650	4585	165	6000	7000	7000
		3565	2750	4785	165	6000	7000	7000
		4065	3000	5285	165	6000	7000	7000
		4565	3250	5785	165	6000	7000	7000
		5065	3600	6285	165	6000	7000	7000
		5565	3850	6785	165	6000	6900	6900
	6065	4100	7285	165	5850	6700	6700	
Triplex (*)		3765	2200	4985	980	6000	7000	7000
		4365	2400	5585	1180	6000	7000	7000
		4765	2525	5985	1305	6000	7000	7000
		5065	2625	6285	1405	6000	7000	7000
		5565	2800	6785	1580	6000	6850	6850
		5925	2920	7145	1700	5850	6700	6700
		6565	3200	7785	1980	5600	6500	6500
		7115	3400	8335	2180	4300	4300	4300
	7585	3550	8805	2330	2650	2650	2650	



User-friendly controls



Easy service access



Comfortable operator compartment

Steering system

- **Fully hydrostatic steering** with small and responsive steering wheel ensures precise, effortless manoeuvring.
- **Heavy duty boxed construction** protects steering cylinder from rough surfaces and debris.
- **Tapered roller bearings** support steer knuckles in axle housing, reducing maintenance and greatly improving durability.

Brakes

- **Vacuum-boosted brake system** provides true proportional braking for enhanced operator control.
- **Reserve vacuum** helps boost braking in the event of an unexpected engine stall or shutdown.

Hydraulics

- **Powerful hydraulic system** offers high residual capacities for comfortable handling of heavy loads.

Electrical and control systems

- **Seat switch** disengages drive function if operator leaves the normal seated position.

Operator compartment and controls

- **Market-leading ergonomic design** results in easy on-off access, user-friendly controls, a practical layout and great all-round visibility – for maximum precision and productivity.
- **Adjustable steering column** with unique, time-saving memory function helps guarantee optimum driving position, every time, and – together with open-step frame and grab bar – allows easy on-off access.
- **Short-throw hydraulic levers** give easy, precise control of mast operations.

Other features

- **RapidAccess features** give unequalled ease of entry to all areas for checks and maintenance.

Options include

- **Travel speed limitation**
- **Foot-operated directional control**
- **Non-marking tyres**
- **Dustproof kit for hydraulic tank and pump**
- **Rear-view mirror**

when **reliability** is everything...

Like any product bearing the Mitsubishi name, our materials handling equipment benefits from the huge resources and cutting-edge technology of one of the world's largest corporations. So when we promise you **quality, reliability** and **value for money**, you know it's a guarantee we have the power to deliver.

Every model in our comprehensive, award-winning range of forklift trucks and warehouse equipment is built to a high specification and is designed to keep on working for you... day after day... year after year... whatever the job... whatever the conditions.

To ensure your truck stays in constant productive action, we have a network of local dealers – hand-picked for their commitment to customer care... and backed up by the Mitsubishi Forklift Trucks organisation. No matter where you are, we have a dealer close by – ready and willing to meet your needs.

That friendly local service covers everything from identifying the perfect model and configuration for your application to providing competitive, flexible finance and maintenance packages, unbeatable warranties, long and short term hire, and highly responsive field service and repairs... as well as the industry's quickest and most reliable parts supply.

Only Mitsubishi can give you this combination of global engineering excellence and outstanding local support... only Mitsubishi offers you such a quality product at such an affordable price... and only Mitsubishi places reliability as high as you do in its priorities. Contact your local dealer now and see what Mitsubishi can do for you.

You can find your nearest dealer at www.mitforklift.com



CESM1462 (02/12)
© 2012 MCFE
Printed in The Netherlands

mitforklift@mcfe.nl www.mitforklift.com

NOTE: Performance specifications may vary depending on standard manufacturing tolerances, vehicle condition, types of tyres, floor or surface conditions, applications or operating environment. Trucks may be shown with non-standard options. Specific performance requirements and locally available configurations should be discussed with your distributor of Mitsubishi forklift trucks. Mitsubishi follows a policy of continual product improvement. For this reason, some materials, options and specifications could change without notice.